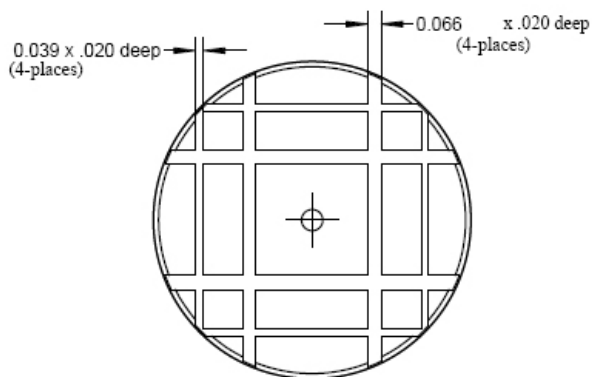
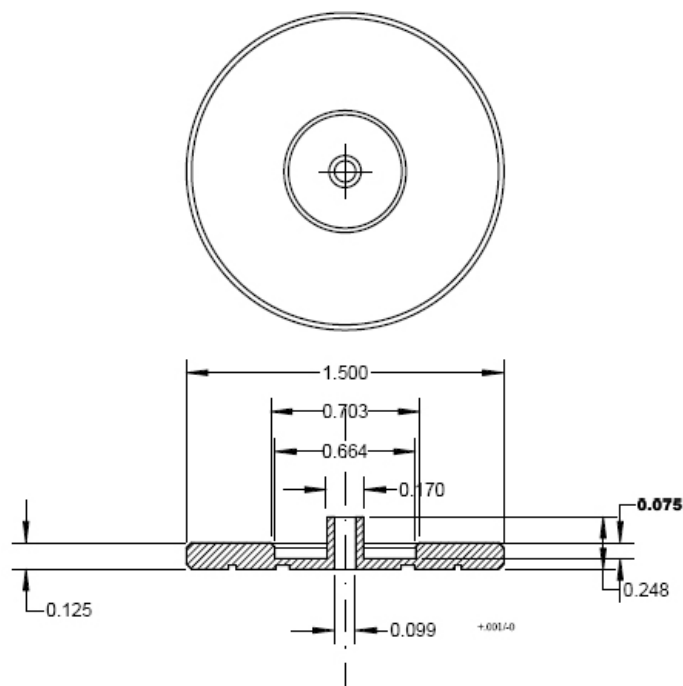


FIS 2.5MM UNIVERSAL POLISH DISK

Top View



Bottom View

F1-6925UN

SPECIFICATIONS

Materials

303 Stainless Steel

Tolerances

+/- .002 unless specified